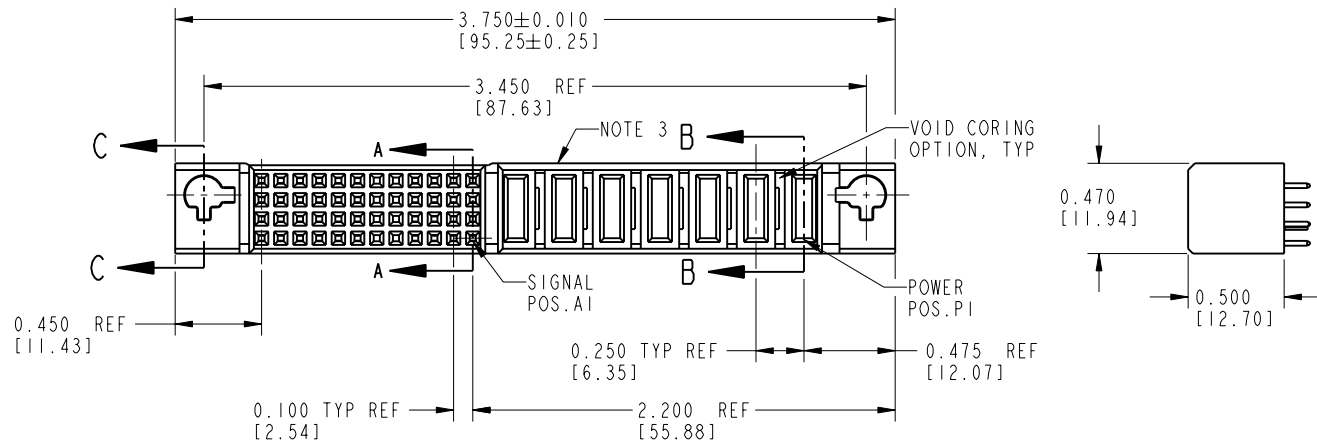


Tous droits strictement réservés. Reproduction ou communication o des liens interdite sous quelque forme que ce soit sans autorisation écrite du propriétaire. Propriété de c FCI. Droits de reproduction FCI.

FCI

All rights strictly reserved. Reproduction or issue to third parties in any form, whenever is not permitted without written authority from the proprietor. Property of FCI. Copyright FCI.

PRODUCT No.	ROWS	SIGNAL										POWER							E2				
		E1	12	11	10	9	8	7	6	5	4	3	2	1	P7	P6	P5	P4		P3	P2	P1	
51602-XX001 NOTE: 2	D C B A		E	E	E	E	E	E	E	E	X	E	E	E	E	PA	PA	X	PA	PA	PA	PA	



CODE	CONTACT TYPE
E	SIGNAL
PA	POWER
HA	HOLD-DOWN
X	OMITTED

mat'l code				NOTE 1		tolerances unless otherwise specified		CUSTOMER	
ltr	ecn no.	dr	date	linear	angles	.XX±.01/.X±.3	.XXX±.005/.XX±.13	.XXXX±.0020/.XXX±.051	0° ± 2°
A	V81897	DLW	10/30/98	dr	engr	D. WOLFORD	10/30/98	J. BROWN	10/30/98
B	V90098	DLW	01/22/99	chr	appd	J. BROWN	10/30/98	J. BROWN	10/30/98
C	V01363	LSS	06-05-00						
D	V10810	EKK	01-31-01						
E	V11164	LSS	04/09/01						
F	DG05-0363	GuoJM	09/29/05						
sheet index	revision sheet	F	F	F					
		1	2	3					

CUSTOMER		COPY		title	
www.fciconnect.com		projection		7P + 48S	
INCH/MM		scale		VERTICAL SOLDER RECEPTACLE	
1:1		product family		PWRBLADE	
		size		dwg no	
		A		51602	
		code		213	
		sheet		1 of 3	

coge code 22526

Pro/E

PDM: Rev:F

STATUS: Released

Printed: Aug 11, 2007

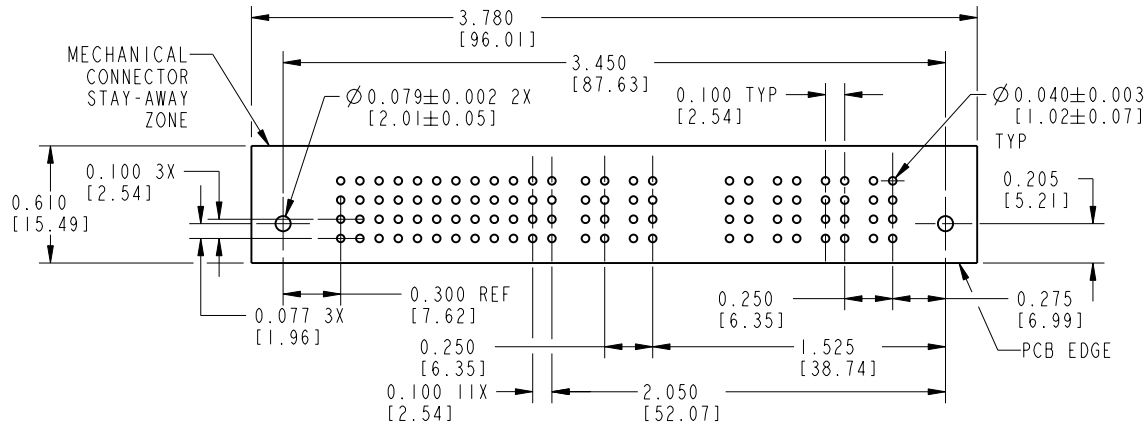
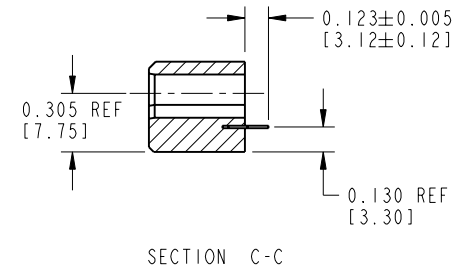
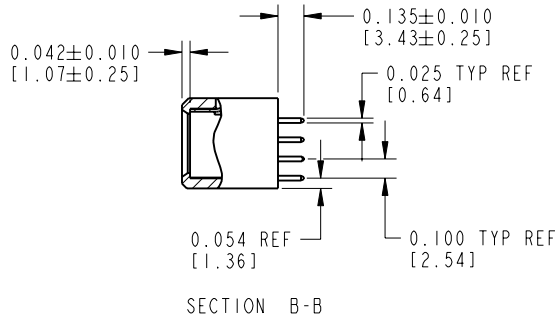
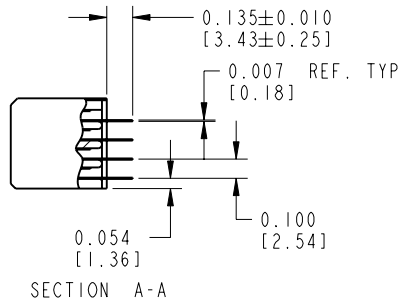
Tous droits strictement réservés. Reproduction ou communication o des liers interdite sous quelque forme que ce soit sans autorisation écrite du propriétaire. Propriete de c FCI. Droits de reproduction FCI.

FCI

All rights strictly reserved. Reproduction or issue to third parties in any form, whatever is not permitted without written authority from the proprietor. Property of FCI. Copyright FCI.

PRODUCT NUMBER

51602-XX001__
NOTE: 2



RECOMMENDED PCB LAYOUT

mat'l code		NOTE 1		tolerances unless otherwise specified		CUSTOMER		 www.fciconnect.com	
lfr	ecn no.	dr	date	linear	.XX±.01/.X±.3	COPY			
F				angles	.XXX±.005/.XX±.13 .XXXX±.0020/.XXX±.051	 INCH/MM		title	7P + 48S VERTICAL SOLDER RECEPTACLE
				dr	0° ± 2°	 scale 1:1		product family	PWRBLADE
				engr	D. WOLFORD 10/30/98			size	A
				chr	J. BROWN 10/30/98			dwg no	51602
				appd	J. BROWN 10/30/98			code	213
sheet index	revision sheet							sheet	2

cage code 22526

Pro/E

PDM: Rev:F

STATUS: Released

Printed: Aug 11, 2007

Tous droits strictement réservés. Reproduction ou communication o des liers interdite sous quelque forme que ce soit sans autorisation écrite du propriétaire. Propriete de c FCI. Droits de reproduction FCI.

All rights strictly reserved. Reproduction or issue to third parties in any form, whenever is not permitted without written authority from the proprietor. Property of FCI. Copyright FCI.



PRODUCT NUMBER

51602-XX001__
NOTE: 2

CONNECTOR NOTES:

1. HOUSING MATERIAL: UL 94 V-0 GLASS FILLED HIGH TEMP THERMOPLASTIC
POWER CONTACT MATERIAL: COPPER ALLOY
SIGNAL CONTACT MATERIAL: COPPER ALLOY

2. PLATING:

51602-XX001 Singal Pin:30u"/0.76um Au OVER 50u"/1.27um Ni ON THE CONTACT AREA,
AND 100u"/2.54um SnPb PLATING OVER 50u"/1.27um Ni ON THE TERMINATION SECTION.
Power Pin:30u"/0.76um Au OVER 50u"/1.27um Ni ON THE CONTACT AREA,
AND 100u"/2.54um SnPb PLATING OVER 50u"/1.27um Ni ON THE TERMINATION SECTION.

51602-XX001LF Singal Pin:30u"/0.76um Au OVER 50u"/1.27um Ni ON THE CONTACT AREA,
AND 78u"/2.00um Sn PLATING OVER 50u"/1.27um Ni ON THE TERMINATION SECTION.
Power Pin:30u"/0.76um Au OVER 50u"/1.27um Ni ON THE CONTACT AREA,
AND 78u"/2.00um Sn PLATING OVER 50u"/1.27um Ni ON THE TERMINATION SECTION.

PART NUMBER 51602-XX001LF MEETS EUROPEAN UNION DIRECTIVE AND JOTHER COUNTRY REGULATIONS AS DESCRIBED IN GS-22-008.

THE HOUSING WILL WITHSTAND EXPOSURE TO 260° PEAK TEMPERATURE FOR 10 SECONDS IN A WAVE SOLDER APPLICATION WITH A CIRCUIT BOARD.

3. "MANUFACTURER" NAME, P/N, AND DATE CODE TO APPEAR ON THIS SURFACE

4. PRODUCT SPECIFICATION GS-12-149

PCB NOTES:

- 5. ALL DIMENSIONS ARE BASIC UNLESS OTHERWISE SPECIFIED.
- 6. ALL THROUGH HOLES ARE LOCATED WITH A TRUE POSITION OF 0.004 [0.10]
- 7. ALL HOLE DIAMETERS ARE FINISHED HOLE SIZE
- 8. Ø0.079[2.01] THROUGH HOLES ARE UNPLATED.
- 9. Ø0.0453±0.0010 [1.151±0.025] DRILLED HOLES PLATED WITH 0.0003 [0.008] MIN SnPb OVER 0.001 [0.03] TO 0.003 [0.08] Cu PLATING TO ACHIEVE A Ø0.040±0.003 [1.02±0.07] HOLE.

CONFIDENTIAL

mat'l code		NOTE 1		tolerances unless otherwise specified		CUSTOMER		www.fciconnect.com	
ltr	ecn no.	dr	date	linear	.XX±.01/.X±.3	COPY			
F				projection	.XXX±.005/.XX±.13			title	
				angles	.XXX±.0020/.XXX±.051			7P + 48S	
				dr	0° ± 2°	INCH/MM		VERTICAL SOLDER RECEPTACLE	
				engr	D. WOLFORD 10/30/98			product family	
				chr	J. BROWN 10/30/98	scale		size	
				appd	J. BROWN 10/30/98			dwg no	
sheet index		revision sheet				1:1		A	
								51602	
								3	

coge code 22526

Pro/E

3

4